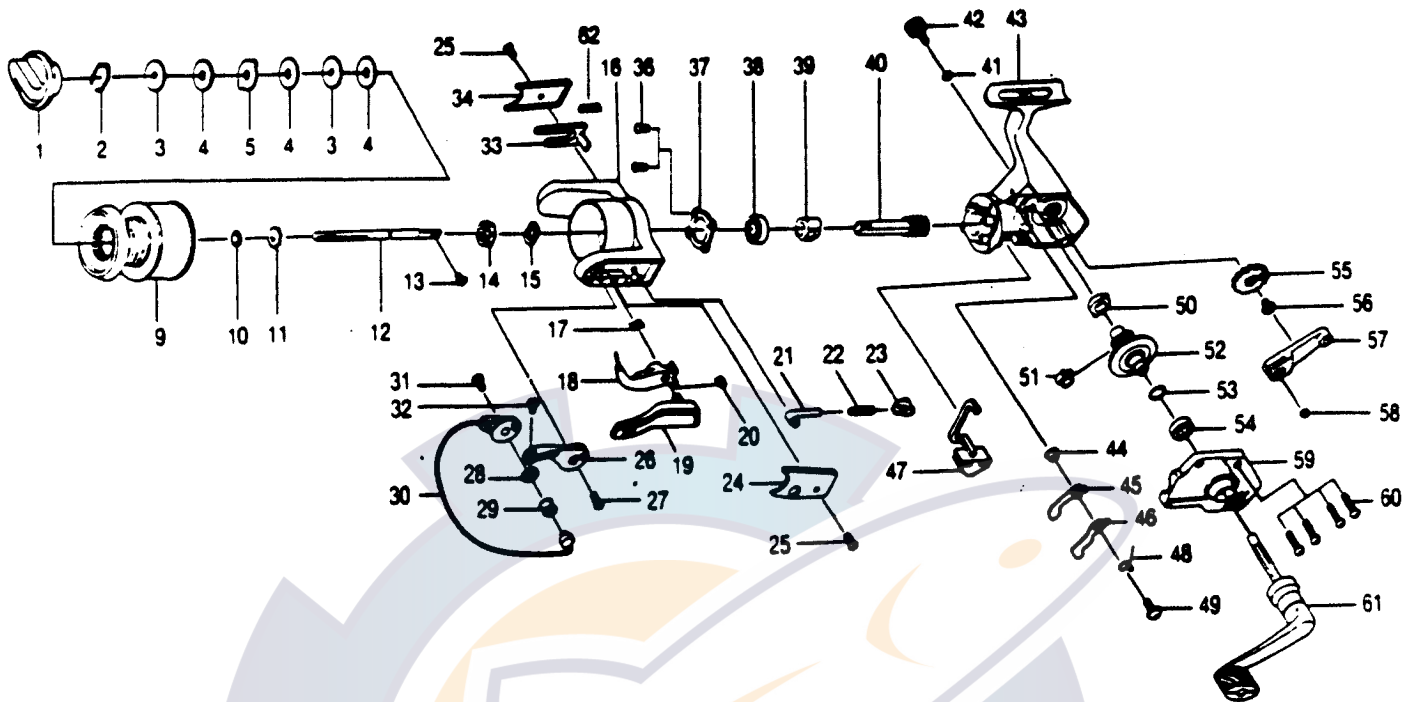


QUANTUM® SLX3



KEY PART NO. NO.

KEY PART NO. NO.	DESCRIPTION	PRICE
1 FQ332	DRAG KNOB ASSY.	2.05
2 AQ038	DRAG RETAINER	.95
3 AQ050	SPOOL WASHER 'C'	.62
5 AQ029	SPOOL WASHER 'B'	.62
9 FQ321	SPOOL ASSY.	7.45
10 BQ030	SPOOL ADJ. WASHER	.55
11 BQ037	SPOOL CLICK CLAM	1.15
12 BQ015	MAIN SHAFT	3.00
13 AQ100	MAIN SHAFT SCREW	.75
14 QL006	ROTOR NUT	1.45
15 QL065	ROTOR RETAINER WASHER	.62
16 FQ009	ROTOR	3.45
17 NLO96	TRIP LINK SPRING	.67
18 FLO97	TRIP LINK	1.20
19 FL115	TRIP LEVER	2.25
20 NLO36	E-CLIP	.67
21 QL031	SPRING SHAFT	.62
22 QL022	BAIL SPRING	.62
23 QL020	SPRING HOLDER	.52
24 FQ087	BAIL SPRING COVER	.62
25 AQ085	ROTOR COVER SCREW	.67
26 FLO07	ARM LEVER	1.13
27 AQ051	ARM LEVER SCREW	.62
28 FLO17	BAIL COLLAR	1.20
29 FLO04	LINE ROLLER	2.05
30 BQ347	BAIL ASSY.	6.50
31 AQ044	BAIL HOLDER SCREW	.62
32 AQ108	BAIL SCREW	.62
33 YK019	KICK LEVER	1.93

KEY PART NO. NO.

KEY PART NO. NO.	DESCRIPTION	PRICE
34 FQ024	KICK LEVER COVER	.62
36 AQ080	BEARING PLATE SCREW	.62
37 QL040	BEARING PLATE	.57
38 BQ028	B/BEARING - ROTOR	7.75
39 BQ060	RATCHET GEAR	2.45
40 FQ011	PINION GEAR	5.95
41 BQ105	HANDLE CAP WASHER	.52
42 AL073	HANDLE SCREW	1.35
43 BQ001	BODY	5.95
44 NLO91	STOPPER BUSHING	.57
45 BQ064	STOPPER 'A'	1.05
46 BQ063	STOPPER 'B'	1.15
47 BQ059	STOPPER LEVER	.57
48 BQ061	STOPPER L/R SPRING	.57
49 AQ083	STOPPER SCREW	.62
50 AQ013	BODY BUSHING	.62
51 AQ086	SLIDING SPRING	.62
52 FQ012	DRIVE GEAR	2.25
53 AQ026	DRIVE GEAR ADJ. WASHER	.52
54 AL013	BODY BUSHING	.62
55 BQ053	O/S GEAR	1.05
56 WED78	O/S GEAR SCREW	1.39
57 BQ025	O/S PIVOT ARM	1.50
58 AQ056	O/S PIVOT ARM WASHER	.52
59 FQ023	BODY COVER	3.15
60 AQ057	BODY COVER SCREW	.62
61 AL318	HANDLE ASSY.	5.25
62 YK049	KICK LEVER SPRING	.97

Prices subject to change without notice. Prices do not include postage and handling.

PLEASE ORDER BY PART NUMBER

Rev. 11/90

Zebco Division Brunswick Corporation, Box 270, Tulsa, OK 74101 USA 918-636-6881

